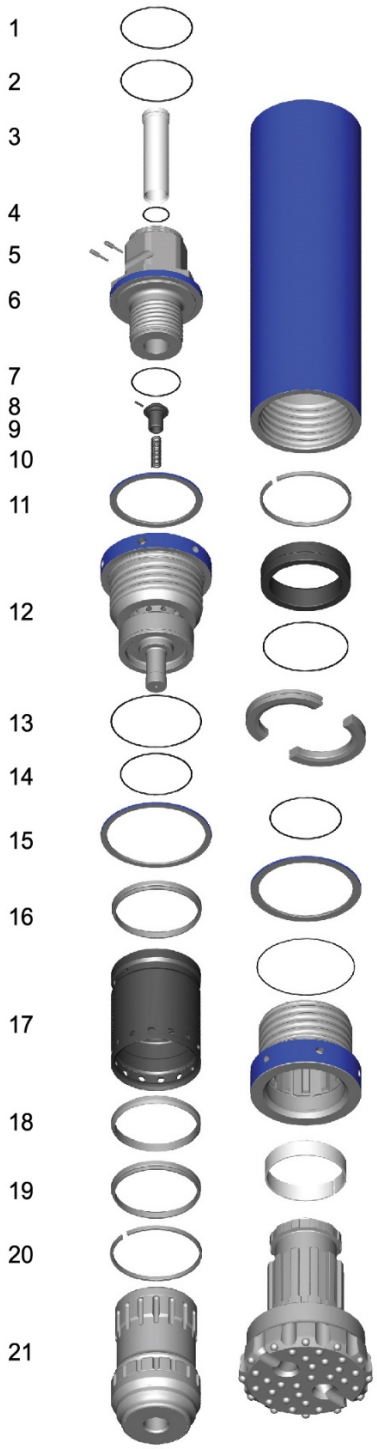


# MP240



## Parts and Specifications

# Mincon MP240 (HEX 240) DTH Hammer

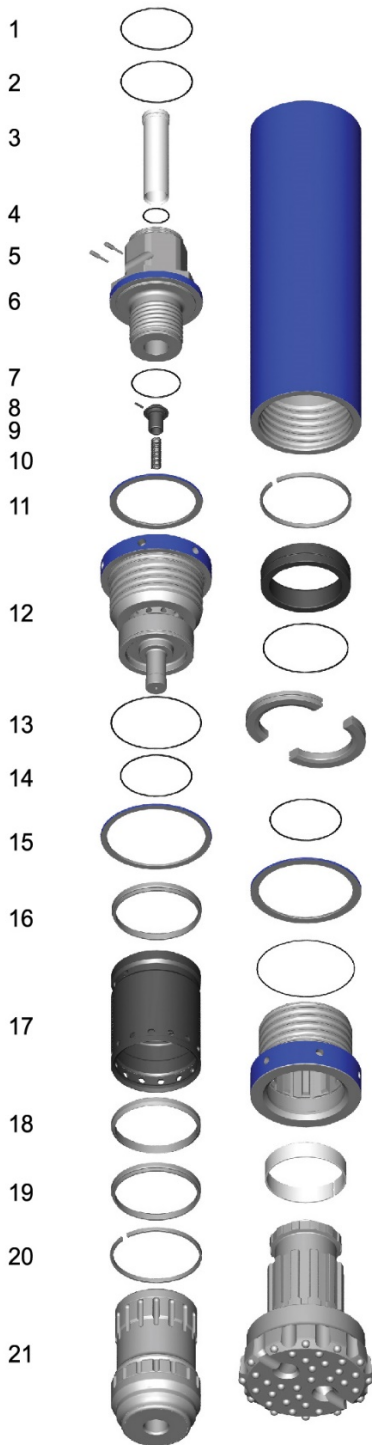


Item #	Part Number	Description
	<b>MD2401AS02</b>	<b>Mincon MP240 N240 (Hex 240)</b>
1	MD2419HX02	Backhead Hex Insert- 240H JOINT
2	MD2428OR01	O-Ring
3	MD2420OR01	O-Ring
4	MD2416TB02	Backhead Tube-240 H JOINT
5	MD2417BO02	Hex Insert Breakout Ring
6	MD2432OR01	O-Ring
7	MD2441BD01	Backhead/Distributor Assembly
8	MD2422OR01	O-Ring
9	MD2431OR01	O-Ring
10	MD2417BO03	Backhead Breakout Ring
11	MD2406CH01	Choke Blank
12	MD2402CV01	Check Valve
13	MD2403SP01	Check Valve Spring
14	MD2440CR01	Compression Ring
15	MD2405LR01	Lock Ring
16	MD2404SM01	Make-up Ring
17	MD2408IC01	Inner Cylinder
18	MD2412PR01	Retaining Ring
19	MD2410PN01	Piston
20	MD2411WS01	Wear Sleeve
21	MD2412PR01	Retaining Ring
22	MD2413BB01	Aligner
23	MD2423OR01	O-Ring
24	MD2414BR01	Bit Retaining Ring
25	MD2424OR01	O-Ring
26	MD2415CK01	Chuck
27	MD-N240DP	Drive Pin x 12
28	MD2418CB01	Chuck Bush
29	MD2417BO04	Chuck Breakout ring
30	MD2433OR01	O-Ring
31	MD2426SK02	Service Kit
	<b>MD2426SK02</b>	<b>Service Kit</b>
1	MD2406CH01	Choke Blank
2	MD2403SP01	Spring
3	MD2425OK02	O-ring Kit
	<b>MD2425OK02</b>	<b>O-ring Kit</b>
2	MD2428OR01	O-ring
3	MD2420OR01	O-ring
6	MD2432OR01	O-ring
8	MD2422OR01	O-ring
9	MD2431OR01	O-ring
23	MD2423OR01	O-ring
25	MD2424OR01	O-ring
30	MD2433OR01	O-ring

## Specifications

Hammer Outside Diameter	525mm (20.7")
Hammer Length (Less Bit, Backhead Shoulder to Chuck)	1,925mm (75.8")
Drill Bit Shank Type	N240
Minimum Bit Size	610mm (24")
Hammer Weight (Less Bit)	2,585kg (5,700 lbs)
Drill Bit Weight (610mm/24")	985kg (2,172 lbs)
Piston Weight	550kg (1,212 lbs)
Backhead Stand Off	0.55mm (0.02")
Make up Torque	24,400-32,540Nm (18,000-24,000 lbf.ft)
Wear Sleeve Reverse Limit	Non-Reversible
Wear Sleeve Discard Limit	458mm (18")
Recommended Minimum Air Package	1,416 L/s @ 13.8 bar (3,000 cfm @ 200 psi)

Mincon MP240 (HEX 275) DTH Hammer



Item #	Part Number	Description
	<b>MD2401AS01</b>	<b>Mincon MP240 (Hex 275 Pin)</b>
1	MD2429OR01	O-Ring
2	MD2429OR01	O-Ring
3	MD2416TB01	Backhead Tube
4	MD2421OR01	O Ring
5	MD2430PI01	Backhead Pin x 2
6	MD2419HX01	Backhead Hex 275 Insert
7	MD2420OR01	O Ring
8	MD2406CH01	Choke
9	MD2402CV01	Check Valve
10	MD2403SP01	Check Valve Spring
11	MD2417BO02	Hex Insert Breakout Ring
12	MD2441BD01	Backhead Distributor Probe Assembly
13	MD2422OR01	O Ring
14	MD2431OR01	O Ring
15	MD2417BO03	Backhead Break Out Ring
16	MD2440CR01	Compression Ring
17	MD2408IC01	Inner Cylinder
18	MD2405LR01	Lock Ring
19	MD2404SM01	Makeup Ring
20	MD2412PR01	Retaining Ring
21	MD2410PN01	Piston
22	MD2411WS01	Wear Sleeve
23	MD2412PR01	Retaining Ring
24	MD2413BB01	Aligner
25	MD2423OR01	O Ring
26	MD2414BR01	Bit Retaining Ring
27	MD2424OR01	O Ring
28	MD2417BO04	Chuck Break Out Ring
29	MD2433OR01	O Ring
30	MD2415CK01	Chuck
31	MD2418CB01	Chuck Bushing
	MD2426SK01	Service Kit
	<b>MD2426SK01</b>	<b>Service Kit</b>
8	MD2406CH01	Choke
10	MD2403SP01	Check Valve Spring
5	MD2430PI01	Backhead Pin x 2
	MD2425OK01	O Ring Kit
	<b>MD2425OK01</b>	<b>O Ring Kit</b>
1	MD2429OR01	O Ring
2	MD2429OR01	O Ring
4	MD2421OR01	O Ring
7	MD2420OR01	O Ring
13	MD2422OR01	O Ring
14	MD2431OR01	O Ring
25	MD2423OR01	O Ring
27	MD2424OR01	O Ring
29	MD2433OR01	O Ring

**Specifications**

Hammer Outside Diameter	525mm (20.7")
Hammer Length (Less Bit, Backhead Shoulder to Chuck)	1,925mm (75.8")
Drill Bit Shank Type	N240
Minimum Bit Size	610mm (24")
Hammer Weight (Less Bit)	2,585kg (5,700 lbs)
Drill Bit Weight (610mm/24")	985kg (2,172 lbs)
Piston Weight	550kg (1,212 lbs)
Backhead Stand Off	0.55mm (0.02")
Make up Torque	24,400-32,540Nm (18,000-24,000 lbf.ft)
Wear Sleeve Reverse Limit	Non-Reversible
Wear Sleeve Discard Limit	458mm (18")
Recommended Minimum Air Package	1,416 L/s @ 13.8 bar (3,000 cfm @ 200 psi)