



The Driller's Choice



JT200 SERIES HIGH TORQUE DRILL HEAD

ROTARY DRILLING - MICROPILING - DTH HAMMERS - AUGERS



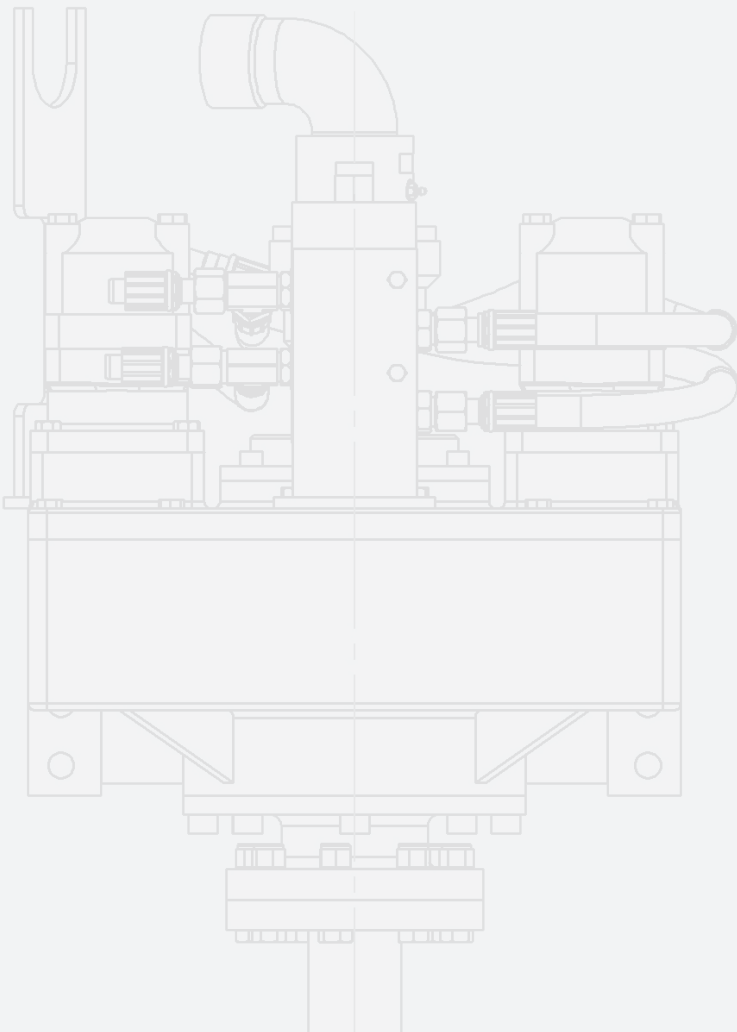
mincon.com

JT200



JT200 SERIES HIGH TORQUE DRILL HEAD

The JT200 Series Rotation Heads have 2 set speeds with variable speed control in between. The high torque/low speed and low torque/high speed settings allow the operator to alternate the drill head's power and speed for different applications and drill methods. A 2-3/8" center bore allows for mud or air flushing with the optional 2,500 PSI 90 degree swivel.



JT200 DRILL HEAD



**HIGH
TORQUE
DRILL
HEAD**

SPECIFICATIONS

JT201

	LOW SPEED		HIGH SPEED	
	IMPERIAL	METRIC	IMPERIAL	METRIC
MAX TORQUE	5,080 ft-lbs	6,900 Nm	2,540 ft-lbs	3,450 Nm
MAX SPEED	73 rpm		146 rpm	
THROUGH BORE	2-3/8"	60 mm	2-3/8"	60 mm
SPEEDS	Variable		Variable	

JT202

	LOW SPEED		HIGH SPEED	
	IMPERIAL	METRIC	IMPERIAL	METRIC
MAX TORQUE	5,925 ft-lbs	8,036 Nm	2,960 ft-lbs	2,960 Nm
MAX SPEED	64 rpm		127 rpm	
THROUGH BORE	2-3/8"	60 mm	2-3/8"	60 mm
SPEEDS	Variable		Variable	

JT203

	LOW SPEED		HIGH SPEED	
	IMPERIAL	METRIC	IMPERIAL	METRIC
MAX TORQUE	7,370 ft-lbs	9,996 Nm	3,685 ft-lbs	4,998 Nm
MAX SPEED	51 rpm		102 rpm	
THROUGH BORE	2-3/8"	60 mm	2-3/8"	60 mm
SPEEDS	Variable		Variable	

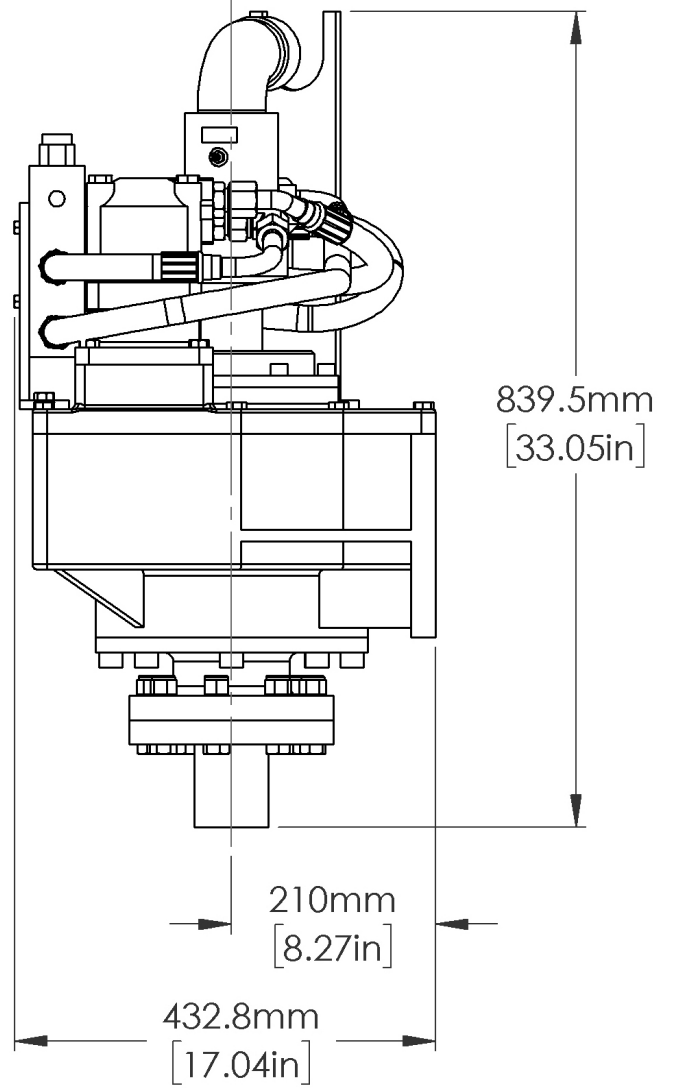
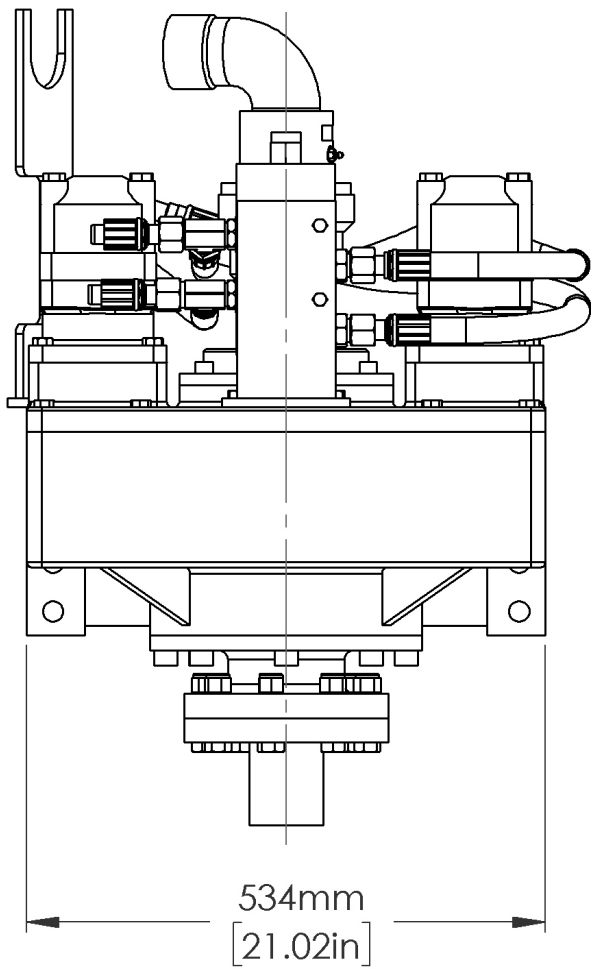
JT204

	LOW SPEED		HIGH SPEED	
	IMPERIAL	METRIC	IMPERIAL	METRIC
MAX TORQUE	9,580 ft-lbs	13,000 Nm	4,790 ft-lbs	6,500 Nm
MAX SPEED	39 rpm		78 rpm	
THROUGH BORE	2-3/8"	60 mm	2-3/8"	60 mm
SPEEDS	Variable		Variable	

JT205

	LOW SPEED		HIGH SPEED	
	IMPERIAL	METRIC	IMPERIAL	METRIC
MAX TORQUE	10,495 ft-lbs	14,230 Nm	5,247 ft-lbs	7,139 Nm
MAX SPEED	31 rpm		62 rpm	
THROUGH BORE	2-3/8"	60 mm	2-3/8"	60 mm
SPEEDS	Variable		Variable	

TECHNICAL DRAWING



JT200

A large, blue, stylized letter 'M' is centered on the page. It is composed of several overlapping, semi-transparent shapes that create a sense of depth and mechanical complexity. The 'M' is superimposed over a background image of industrial machinery, specifically a drill press, which is visible through the cutouts of the letter. The text "The Driller's Choice" is written in a large, white, sans-serif font across the middle of the 'M' and the background image.

The Driller's Choice

MINCON INC
603 Centre Ave NW, Roanoke,
VA 24016, United States
T. +1 540-344-9939
E. salesusa@mincon.com
W. mincon.com