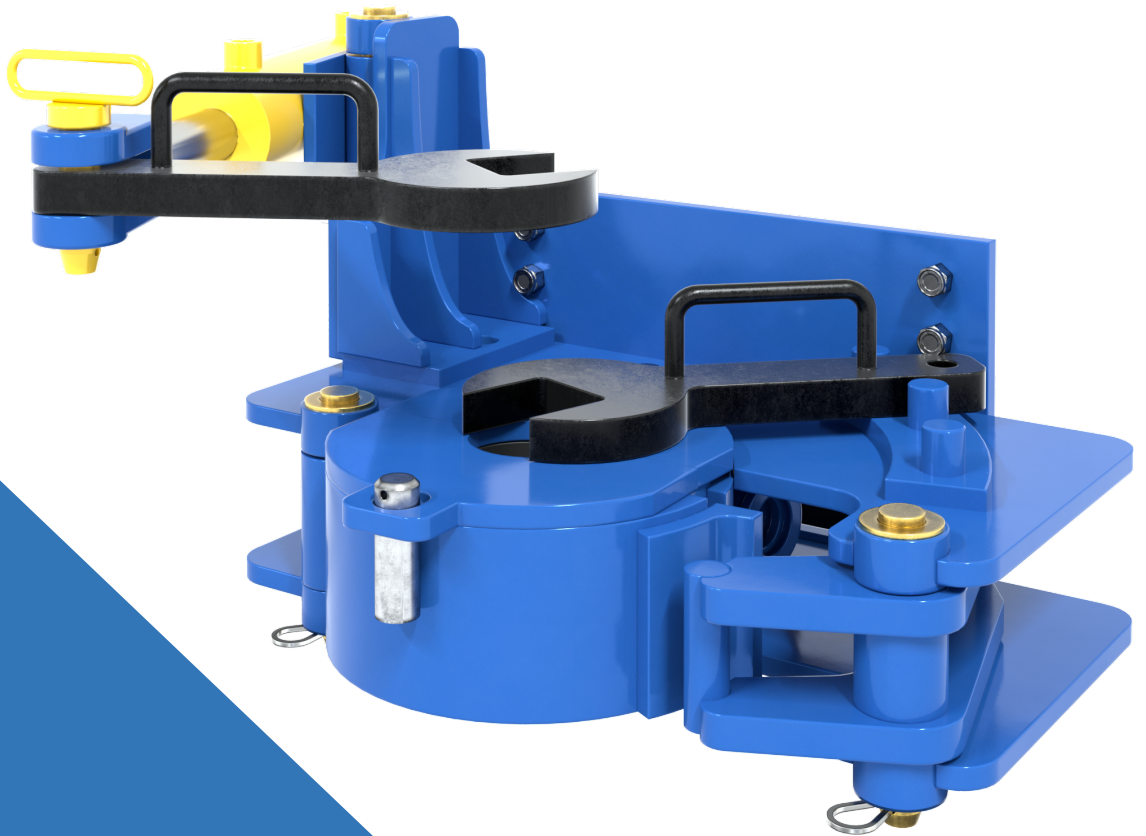




The Driller's Choice



GATE CLAMPS WITH BREAKOUT WRENCH

STANDARD CLAMPING SYSTEMS



GATE CLAMPS

A max 9" ID for casings and min 1" ID for drill rods. The Gate Clamps come with a hydraulic breakout cylinder and two rod wrenches sized to the customers drill rods. The rods guides or 'slips' are also sized to fit the drill rods or casings as required. Capable of gripping both steel and PVC casings.

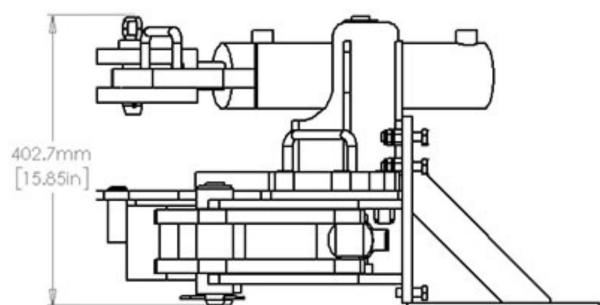
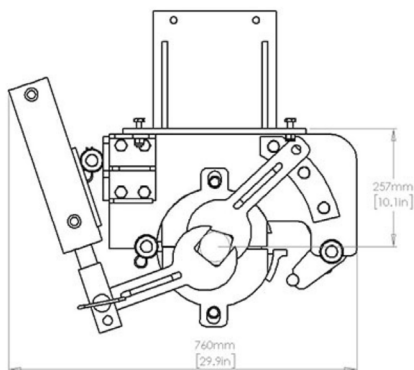
SPECIFICATIONS

Clamp Specifications

	IMPERIAL	METRIC
MAX ID	9"	228 mm
MIN ID	1"	25 mm – slips required
WEIGHT	212 lbs	96 kg
BREAKOUT TORQUE	17,000 ft.lbs	23,050 Nm
SLIPS INCLUDED	1 x Set. (Customer to specify size)	
WRENCHES INCLUDED	1 x Set. (Customer to specify size)	

Operating Specifications

	IMPERIAL	METRIC
PRESSURE	2,900 psi	200 bar
FLOW	3.5 gpm	13 l/min
MOUNT TYPE	8-Bolt Back/Bottom Plate	
CYLINDERS INCLUDED	2 – Main Clamp & Breakout Wrench	



A large, blue, stylized letter 'M' is centered on the page. It is filled with a photograph of industrial machinery, showing various metal components, bolts, and yellow-painted parts. The 'M' is set against a solid blue background.

The Driller's Choice

MINCON INC
603 Centre Ave NW, Roanoke,
VA 24016, United States
T. +1 540-344-9939
E. salesusa@mincon.com
W. mincon.com

AMERICAS REGION · EUROPE AND MIDDLE EAST REGION · AFRICA REGION · ASIA PACIFIC REGION